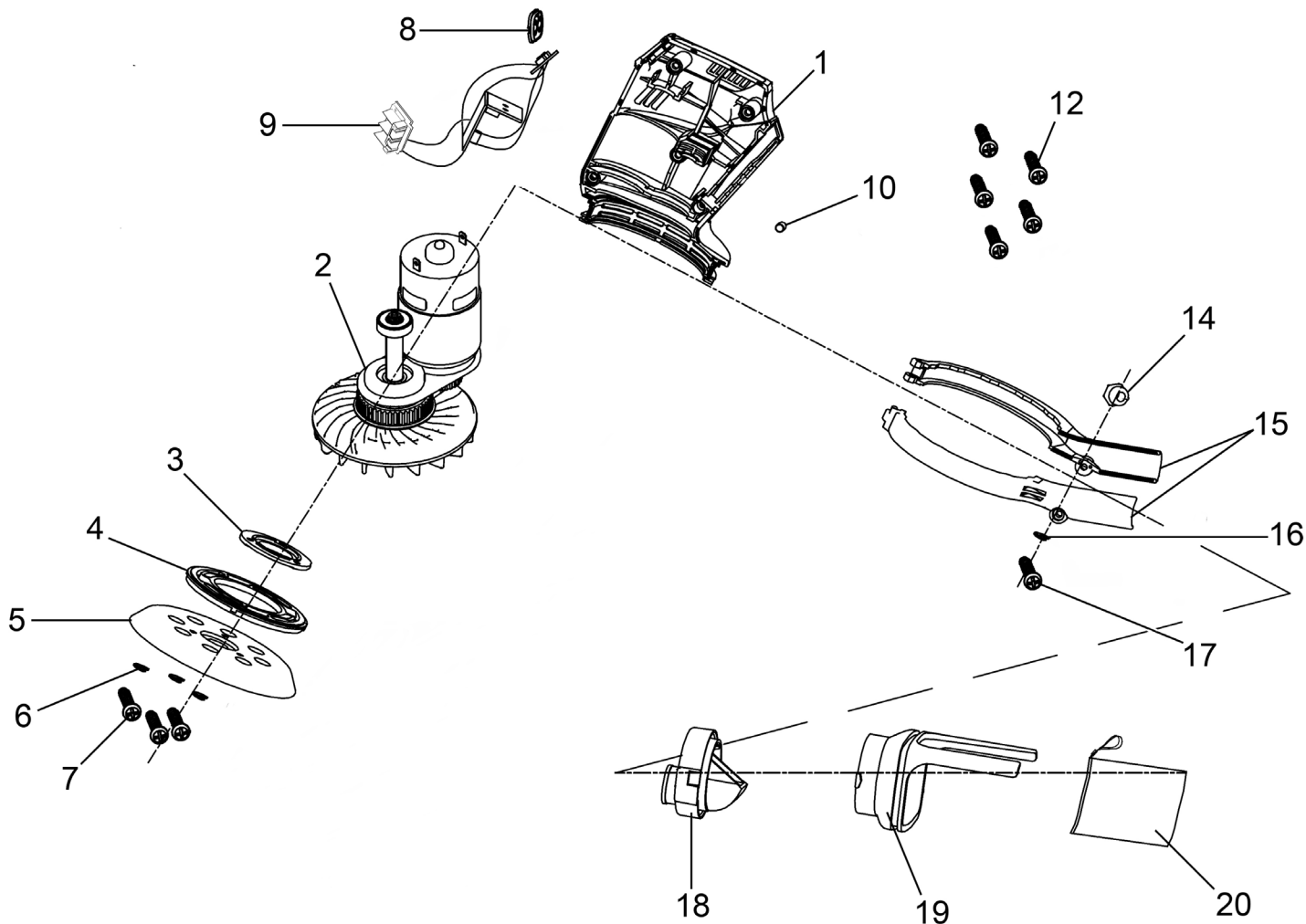




Parts Information:
Orbital Palm Sander 20V 125mm - Body Only
Model No: CP20VOS



Item	Part No.	Description
1	CP20VOS.01	Casing Complete
2	CP20VOS.02	Gearbox
3	CP20VOS.03	Fixed Plate
4	CP20VOS.04	Bearing Support Ring
5	CP20VOS.05	Hook-and-Loop Backing Pad Ø125mm
6	CP20VOS.06	Spring Washer
7	CP20VOS.07	Screw
8	CP20VOS.08	Switch Button
9	CP20VOS.09	PCB (c/w Battery Contact Plate)
10	CP20VOS.10	Rubber Pin
12	CP20VOS.12	Screw
14	CP20VOS.14	Nut
15	CP20VOS.15	Dust Cover Support Left & Right

Item	Part No.	Description
16	CP20VOS.16	Spring Washer
17	CP20VOS.17	Screw
18	CP20VOS.18	Dust Cover
19	CP20VOS.19	Dust Bag Support
20	CP20VOS.20	Dust Bag
--	CP20VBP	Power Tool Battery 20V 3Ah Li-Ion (See Catalogue)
--	CP20VBP2	Power Tool Battery 20V 2Ah Li-Ion (See Catalogue)
--	CP20VBP4	Power Tool Battery 20V 4Ah Li-Ion (See Catalogue)
--	CP20VMC	Battery Charger 20V Li-Ion (See Catalogue)

NOTE: It is our policy to continually improve products and as such we reserve the right to alter data, specifications and component parts without prior notice. There may be alternative versions of this product, please contact us should you require this information.

IMPORTANT: No liability is accepted for incorrect use of product. Spare parts must be fitted by a competent person

WARRANTY: Guarantee is 12 months from purchase date, proof of which will be required for any claim.

Sealey Group, Kempson Way, Suffolk Business Park, Bury St Edmunds, Suffolk. IP32 7AR



01284 757500



sales@sealey.co.uk



www.sealey.co.uk